

# ILU

4000 | 5000 lbs. Capacity

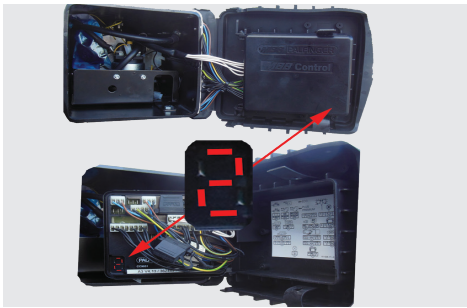
**PALFINGER**

LIFETIME EXCELLENCE

**VALUE ADDED FEATURES, PLATFORM SIZE  
AND CAPACITY FOR THE FLEET OPERATOR**

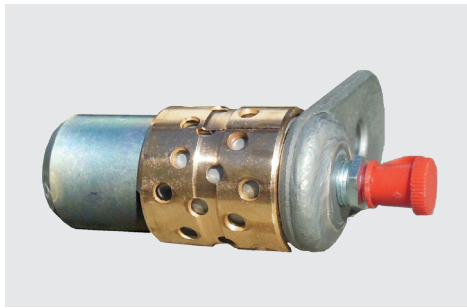


## HIGHLIGHTS



**SMART CONTROLS READY FOR TELEMATICS**  
TO MAKE YOUR EQUIPMENT SMARTER

The Control System, now with built-in visible diagnostics, provides you the status of your lift and can assist you with quickly diagnosing low voltage as well as other problems. Other features include built-in cycle counting, and a re-settable service counter. It's ready for today's telematics technology to provide feedback to fleet management through your truck's CAN bus system. The PC board is now mounted in a sealed heavy duty hinged enclosure.



**BUSHINGS AND GREASE ZERKS**  
TO CUT DOWN ON COSTLY REPAIRS

The corrosion-protected hardened pins, together with perforated bushings, are able to load up with grease for minimized service intervals, all while going the distance. This is just a small sample of all of the details that go into the ILU to make it an extremely low maintenance liftgate.



**SIMPLICITY & DURABILITY**  
PROVIDE MAXIMUM VALUE

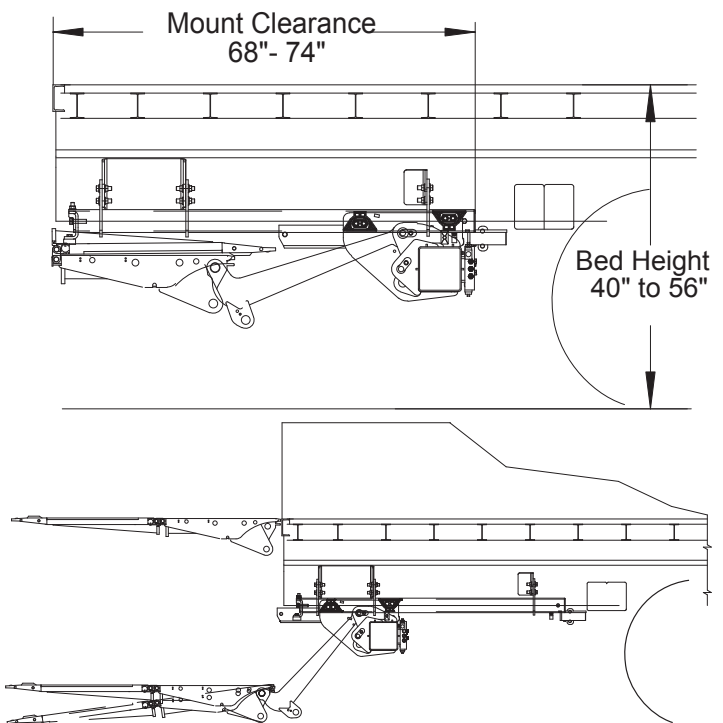
The e-coated rapid mount steel slide assembly in combination with a rugged steel - aluminum platform provides affordable installation solutions and low life cycle cost. By the turn of a knob, the liftgate slides out from under the vehicle on low maintenance slide blocks. After unfolding the torsion assisted platform tip with minimal effort, the liftgate is ready for use.

## STANDARD FEATURES

- » E-coat + powder top coat with 5 year corrosion warranty
- » True level ride with automatic ground tilt
- » Torsion assisted platform tip
- » Bushings and zerks at all pivot points
- » Platform Warning lights
- » Cart stops
- » Foot controls
- » Hydraulic cylinder locks
- » Dual post thermo protected motors
- » Lockable control box with on-off switch
- » Hand held remote control
- » Ground roller to protect soft loading pavement

## OPTIONS

- » Auxiliary truck and trailer
- » battery charge kits
- » Truck & Trailer quick mount kits
- » Trailer rapid mount bolt on kits
- » Trail charge systems
- » 50-250W Solar charge systems
- » Wireless remote controls
- » Removable side rails
- » Tire blow out protection plates



Model	Lifting Capacity (lbs.)	Platform Length (Inches)	Platform Width (Inches)	Bed Height (Inches)	Approx. Weight (lbs.)	Mount Clearance (Inches)
ILU 40	4000	67 - 74	94	40 - 56	1300	68 - 74
ILU 50	5000	67 - 74	94	40 - 56	1400	68 - 74