

7770 / 7775 / 7780 / 7785 HDV™ Blade

Item	Description	Part Number			
		8-1/2' Blade		9-1/2' Blade	
		MS	SS	MS	SS
1	Moldboard Kit w/Fasteners & Labels - DS	85087	85088	85089	85090
2	Moldboard Kit w/Fasteners & Labels - PS	85091	85092	85093	85094
3	Frame, Base Angle & Spring Assy - DS		85117		85118
4	Frame, Base Angle & Spring Assy - PS		85119		85120
5	Cutting Edge Kit, Complete (3/8")		84850		-
	Cutting Edge Kit, Complete (1/2")		84851		84852
6	Center Cutting Edge Kit			44894-1	
7	Center Cutting Edge - DS			44891-1	
8	Center Cutting Edge - PS			44890-1	
9	Cutting Edge - One Side (3/8")		85126		-
	Cutting Edge - One Side (1/2")		85127		85128
10	Base Angle - DS		43128		43130
11	Base Angle - PS		43129		43131
12	Moldboard Fasteners Kit (set of 8)	43890	43289	43890	43289

MS = Mild Steel SS = Stainless Steel

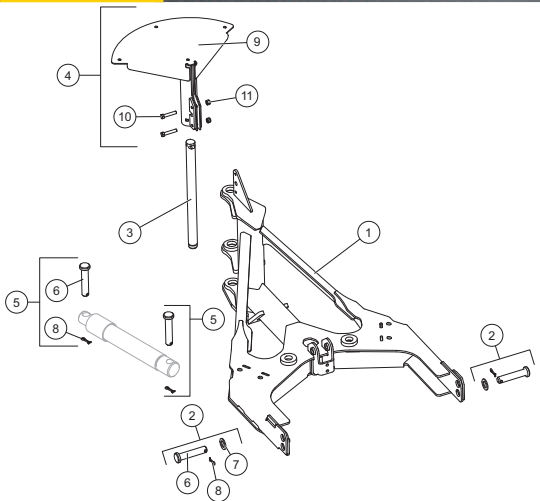
Blade Pins, Fasteners, Labels, Springs

Item	Part	Description	Item	Part	Description
13	21452	Removable Spring Assembly	21		1/4 x 1-3/4 Cotter Pin
14	83624	Spring Assembly Bolt Kit	22		5/8-11 x 2 Carriage Bolt G5
15		7/16-14 x 1/2 x 1-5/8 Shoulder Bolt	23		5/8-11 Hex Locknut GB
16		7/16-14 Hex Locknut GB	24	84525	24" Poly Blade Guide Kit (set of 2)
17		3/8-16 x 1 Button Cap Screw	25	59900	Label - Warning/Caution, Snowplows
18		3/8 Hardened Flat Washer	26	52593	Label - Automattix® Attach/Detach
19		3/8-16 Hex Locknut GB	27	85113	Label - Identity, SnowEx™ - MS
20	85082	1 x 2-3/4 Clevis Pin w/Cotter	28	85115	Label - Identity, SnowEx™ - SS

Item	Part	Description	Item	Part	Description
31	84477	36" Poly Blade Guide Kit (set of 2)	ns	44282-3	Back Drag Edge Kit, 8-1/2" Blade
32*	43885	Curb Guard Kit, Welded - PS & DS	35*	43088	Shoe Kit (set of 2)
33*	44404	Curb Guard Kit, Cast (single)	36*	43510-1	Blade Wing Extensions Kit
34*	44283-3	Back Drag Edge Kit, 9-1/2" Blade	37*	43082-1	Blade Stop Kit (set of 2)

MS = Mild Steel SS = Stainless Steel G = Grade ns = not shown * = Accessory Only.

SNOWEX T-FRAME ASSEMBLY



T-Frame Components

Item	Part	Qty	Description
1	85050	1	T-Frame HDV™
2	84623	2	Clevis Pin Kit
3	49844	1	Main Pivot Pin
4	43118	1	Center Snow Control Kit
5	85125	4	Clevis Pin Kit
Item 2	84623		Clevis Pin Kit
6		1	1 x 4-3/4 Clevis Pin
7		1	1" Flat Washer Special
8		1	1/4 x 1-1/2 Cotter Pin
Item 4	43118		Center Snow Control Kit
9		1	Snow Control
10	90043	2	3/8-16 x 2 Hex Cap Screw G5
11	91333	2	3/8-16 Hex Locknut GB
Item 5	85125		Clevis Pin Kit
6		1	1 x 4-3/4 Clevis Pin
8	90601	1	1/4 x 1-1/2 Cotter Pin

G = Grade

SNOWEX HDV™ SNOWPLOW

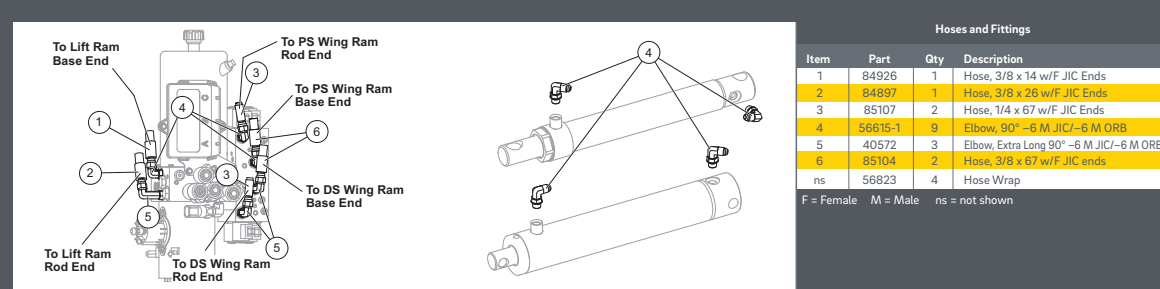
SNOWEX HEADGEAR ASSEMBLY

Item	Part	Qty	Description	Item	Part	Qty	Description	Item	Part	Qty	Description
1	85005	1	Headgear - HDV™ (incl. item 15)	ns	85121*	1	Receiver Kit, Tall - DS	15	84616	1	Grease Zerk (3-Pack)
2	85009	1	Light Bar Channel w/Label - HDV	9	84609	1	Receiver Kit - PS	16	52589	1	Label - Hydraulic Info HDV
3	85048	1	Link Arm - HDV	ns	85122*	1	Receiver Kit, Tall - PS	17	52206	1	Label - Automattix® Power Switch
4	84595	1	Attach Handle Kit	10	85123	1	Pin Kit - 3/4 x 5	18	52207	1	Label - Automattix® Operation Switch
5	84603	2	Attach Pin Kit	11	85124	1	Pin Kit - 5/8 x 4-14	19	69689	1	Label - SECURITY GUARD™ Logo
6	85049	1	Hydraulic Cover (incl. item 16)	12	49479-1	2	Hose Bracket Kit	20	77717	1	Label - Automattix Upper
7	84635	1	Link Arm/Attach Handle Fastener Kit	13	84778	1	Power Cable Clamp Loop Kit	21	77719	1	Label - Automattix Lower
8	84608	1	Receiver Kit - DS	14	61246	1	Cable Boot	22	84647	1	Headgear Label Kit (items 17-21, 23)
Item 2	85009		Light Bar Channel - HDV								
-		1	Light Bar								
23	84553	1	Label - SnowEx® Light Bar, Center								
Item 4	84595		Attach Handle Kit								
24	84596	1	Attach Handle Release Cam Kit								
25	84779	1	Handle								
Item 5	84603		Attach Pin Kit								
26		1	1/4 Flat Washer								
27		1	1/4-20 Hex Locknut GB								
28		1	Hitch Pin								
29		1	1/4-20 x 1-1/2 Hex Cap Screw SS								
Item 7	84635		Link Arm/Attach Handle Fastener Kit								
30		1	5/16-18 x 1-1/4 Hex Cap Screw G5								
31		1	5/16-18 Hex Locknut GB								
Item 10	85123		Pin Kit - 3/4 x 5								
32		1	3/4 x 5 Clevis Pin HT								
33		1	1/8 Hairpin Cotter								
Item 11	85124		Pin Kit - 5/8 x 4-1/4								
34		1	5/8 x 4-1/4 Clevis Pin								
35		1	5/32 x 1-1/2 Cotter Pin								
Item 13	84778		Power Cable Clamp Loop Kit								
27		1	1/4-20 Hex Locknut GB	36		1	1/4-20 x 1 Hex Cap Screw G5	37		1	#10 Clamp Loop
Item 24	84596		Attach Handle Release Cam Kit								
38		1	Stand Lock Pin Spring	40		1	Handle Lock Pin			1	Handle Lock Pin Lever
39		1	3/16 x 1-3/8 Roll Pin SS								
Item 42	84611		Receiver Pin Kit								
32	95739	1	3/4 x 5 Clevis Pin HT	43	42142	1	R-Pin Cotter				

ns = not shown SS = Stainless Steel HT = Heat Treated G = Grade * Refer to the HDV Snowplow Installation Instructions to confirm when tall receivers are required.

SNOWEX HYDRAULIC AND ELECTRICAL COMPONENTS

Item	Part	Qty	Description	Item	Part	Qty	Description
52632 Lift Ram Assembly 2-1/2 x 11-3/4							
1	52633	1	Gland Assembly 1-1/4				
2	52634	1	Seal Kit 2-1/2" DA Ram				
52635 Ram Assembly 1-3/4 x 11 DA							
Item	Part	Qty	Description				
3	48985	1	Gland Assembly 1-1/2				
4	84832	1	Seal Kit 1-3/4 DA Ram				
5	84906	1	Label - Double-Acting Cylinder				



Hoses and Fittings

Item	Part	Qty	Description
1	84926	1	Hose, 3/8 x 14 w/F JIC Ends
2	84897	1	Hose, 3/8 x 26 w/F JIC Ends
3	85107	2	Hose, 1/4 x 67 w/F JIC Ends
4	56615-1	9	Elbow, 90° - 6 M JIC - 6 M ORB
5	40572	3	Elbow, Extra Long 90° - 6 M JIC - 6 M ORB
6	85104	2	Hose, 3/8 x 67 w/F JIC ends
ns	56823	4	Hose Wrap

F = Female M = Male ns = not shown

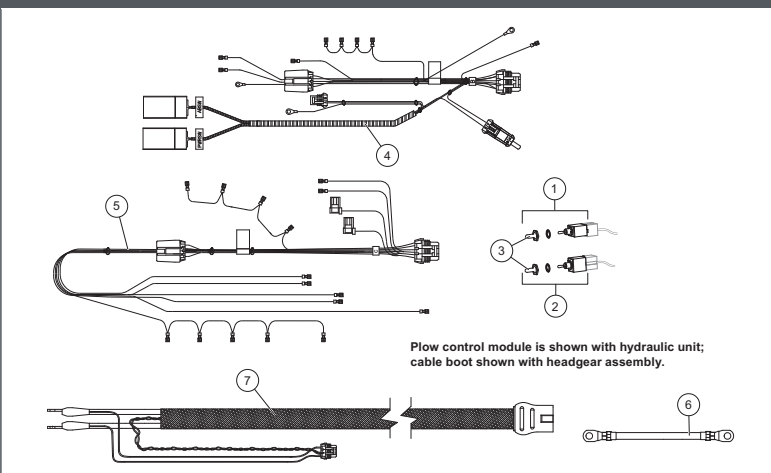
Plow-Side Electrical Components

Item	Part	Qty	Description
1	40575	1	Toggle Switch (MOM-ON, OFF, ON)
2	40576	1	Toggle Switch (MOM-ON, OFF, MON-ON)
3	48259	2	Switch Boot
4	52108	1	Plow Control Harness, 4-Coil
5	52563	1	Plow Control Harness, 9-Coil
6	29071	1	Cable Assembly 8"
7	52291	1	Plow Battery Cable
ns		4	Fuse, 5-Amp Mini Automotive Blade-Style (for items 4 and 5)

Vehicle-Side Electrical Components

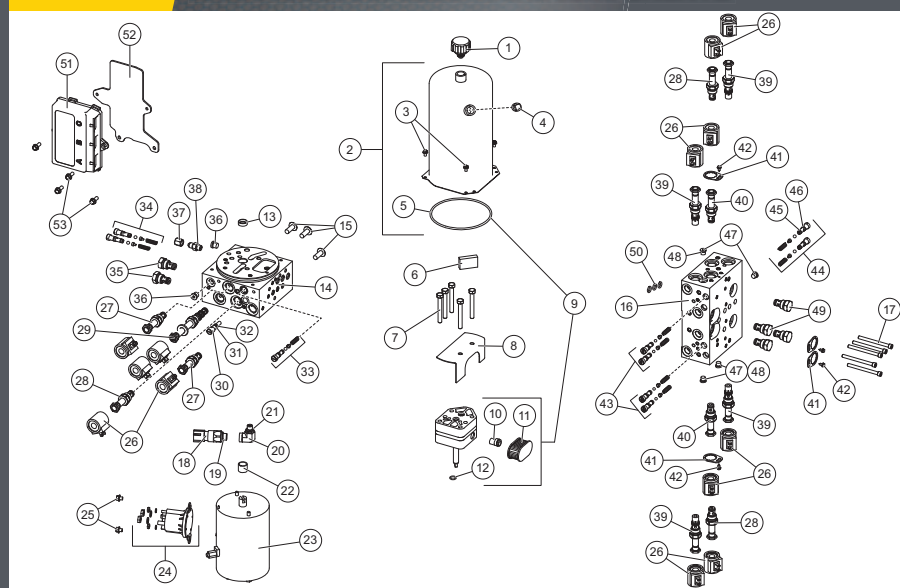
Item	Part	Qty	Description
ns	42014	1	Vehicle Battery Cable
ns	28587	1	Vehicle Control Harness
ns	48325	2	Plug Cover

ns = not shown



Plow control module is shown with hydraulic unit; cable boot shown with headgear assembly.

SNOWEX HYDRAULIC AND ELECTRICAL COMPONENTS



52651 Hydraulic Unit - V-Plow

Item	Part	Qty	Description	Item	Part	Qty	Description	Item	Part	Qty	Description
1	48278	1	Breather	18	84841	1	Pressure Switch	36	44344	2	Plug, Hex Socket - 4 M ORB
2	52631	1	Reservoir Kit	19	56569	1	O-Ring -90S	37	52642	1	Cap - 4 F JIC
3	66607	4	10-24 x 5/16 Machine Screw	20	52295	1	Elbow, 90° - 4 M ORB / 6 F ORB	38	860004	1	Connector, Short - 4 M JIC / 4 M ORB
4	92079	1	Plug, Sausage 3/8 NPTF	21	44343	3	O-Ring -90A				
5	66519	1	O-Ring 2-250	22*	56364	1	Bearing Sleeve	39	49489	4	Valve, 2-Way w/Check
6	79897	1	Magnet	ns	52251	1	Bearing Repair Tool Kit w/Bearing	40	52587	2	Valve, SF08-2015 w/Nut
7	90080	5	5/16-18 x 2-1/2 Hex Cap Screw G5	23	52281	1	Motor	41	44389	4	Valve Lock Ring w/Screw
8	84889	1	Baffle Plate	24	52578	1	Motor Relay Kit, FLEET FLEX	42	63943	4	8-18 x 3/8 Tapping Screw
9	49487	1	Hydraulic Pump Kit	25	29099	2	1/4-20 x 1/4 Hex Washer-Head Thread-Rolling Screw	43	44356	2	Relief Valve Kit (2 sets)
10	10887	1	Pump Inlet Fitting					44	52283	1	Relief Valve (2 sets)
11	48281	1	Filter	26	52294	13	Coil	45	55371	8	O-Ring -008
12	56274	1	O-Ring -013	27	84936	2	Valve, 2-Way NC w/Rev Flow	46	25731	8	O-Ring -010
13*	66515	1	Pump Shaft Seal	28	49690	3	Valve, 2-Way w/Nut	47	92960	4	Plug, Hex Socket - 3 M ORB
ns	52252	1	Seal Repair Tool Kit w/Seal	29	84937	1	Valve, 4-Way, 3-Position	48	26784	4	O-Ring -903
14	52579	1	Primary Manifold Assy w/o Valves HD	30	48517	1	Quill	49	48287	4	Check Valve
15	83641	3	3/8-16 x 1-1/4 Hex Cap Screw Serrated Flange	31	48239	1	O-Ring -106	50	29077	3	O-Ring -110
				32	48240	1	Back-Up Ring -106	51	52292-1	1	Flow Control Module
16	52582	1	Secondary Manifold Assy w/o Valves	33	52282	1	Relief Valve (1 set)	52	52293-1	1	Module Plate
				34	52284	2	Relief Valve (1 set)	53	44355	4	1/4-20 x 5/8 Hex Washer-Head Thread-Rolling Screw
17	29081	5	1/4-20 x 3 Socket Cap Screw	35	84934	2	Check Valve				

O-Ring Service Kits

-	52298-1	-	O-Ring Kit	-	48309	-	Seal Kit, 3-Way & 4-Way Valves	-	48310	-	Seal Kit, 2-Way Valves
Item 14	52579		Primary Manifold Assembly w/o Valves				52579				Primary Manifold Assembly w/o Valves
3	66607	4	10-24 x 5/16 Machine Screw	9	66515	1	Pump Shaft Seal	33	52282</		